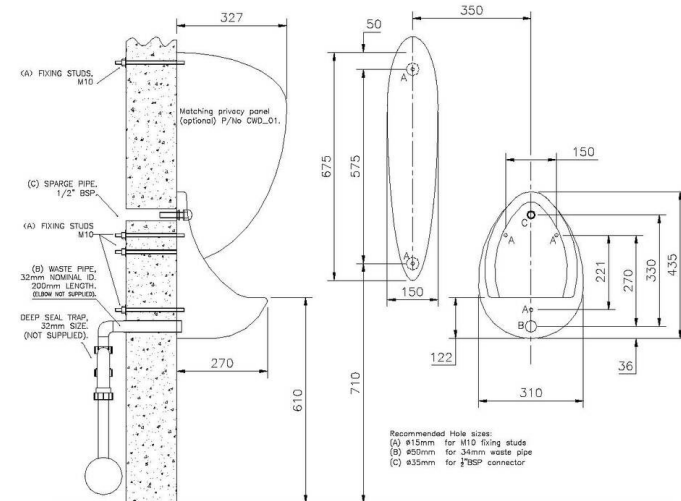


# Wallgate Anti-Vandal Solid Surface Urinal with Through-Wall Concealed Services - White

Product Code: CWU-01W



---

An anti-vandal solid surface pod urinals and dividers for communal washrooms with options for services protection and flush activation.

## Features

- Compatible with waterless fittings
- Highly vandal-resistant
- Solid surface finish available in a range of colours
- Concealed through-wall services and fixings
- Made as one piece without joins
- Highly polished finish for ease of cleaning
- Easily renewable surface without a gel-coat layer
- Domestic appearance
- Optional divider available
- Complies with BS 5520.1977 (for vitreous china bowl urinals), BS 476.6 Class 0 and BS 476.7 Class 1 – non inflammable rating, ISO EN 19712-3 rated 5 for durability, stain resistance, cigarette burns etc
- Rear fixed installation

## Optional Extras

- [CWD-01W](#) Wallgate Solid Surface Divider for CWU Urinal - Concealed Rear Fixings - White
- [CWD-03W-FF](#) Wallgate Solid Surface Divider for CWU Urinal - Front Fixed - White



Environment  
ISO 14001  
SAI GLOBAL

## Environmental Sustainability

We are ISO 14001 certified and take sustainability seriously. Our products are environmentally responsible designed to be healthier for users, save water and/or energy, and minimise carbon footprint. Our target is to reduce our carbon footprint by 25%, and the use of non-recyclable/non-compostable materials across the company (e.g. plastics) by 50%.

## Warranty

Galvin Engineering products are covered under our Manufacturer's Warranty. Galvin Engineering products must be installed in accordance with the installation instructions and in accordance with AS 3500 and NCC Volume Three, relevant Australian Standards and local authorities applicable to product being installed. Water and electrical supply conditions must also comply to the applicable national and/or state standards, failing to comply with these provisions may void the product warranty and affect performance of the product.

Please visit [www.galvinengineering.com.au](http://www.galvinengineering.com.au) to view the full warranty, our Installation Compliance and Maintenance & Cleaning information as well as any other additional information.

While all reasonable care has been taken in compiling the information in this document, the designs, dimensions and products shown are indicative only and should not be relied upon without our prior approval. Due to our policy of continuous development, we reserve the right to alter any details of specifications or products without notice. All information, drawings, technical specifications and product designs remain the property of Galvin Engineering Pty Ltd.

Within Australia: **1300 514 074**

Outside Australia: P: +61 (0)8 9338 2344

[sales@galvinengineering.com.au](mailto:sales@galvinengineering.com.au)

[www.galvinengineering.com.au](http://www.galvinengineering.com.au)



**A family  
owned  
Australian  
business**

