

Caroma®

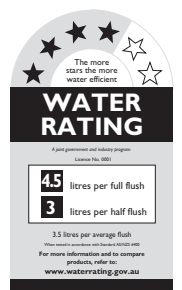
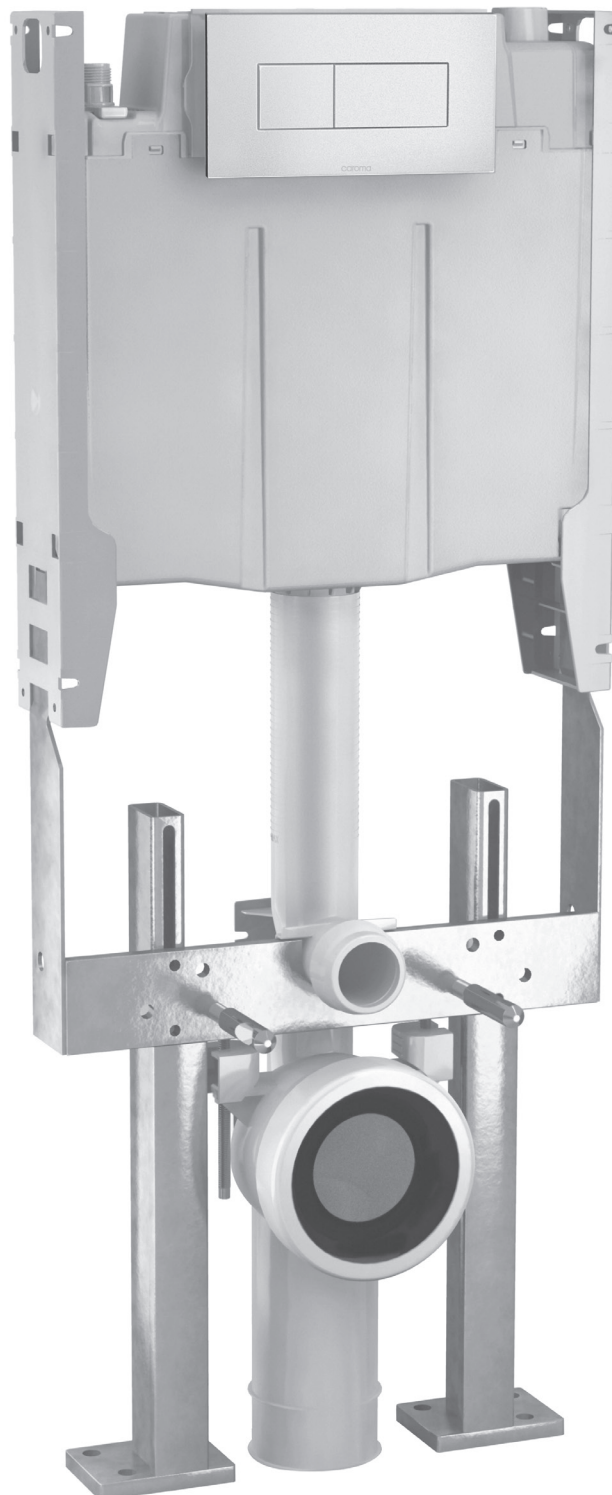
CI/SfB	(74.4)	n6
Date	October 2014	

Supersedes all previous issues

Invisi II

Dual Flush/Single Flush
Inwall/Under Counter/Induct/Inceiling Cistern

6.15.1

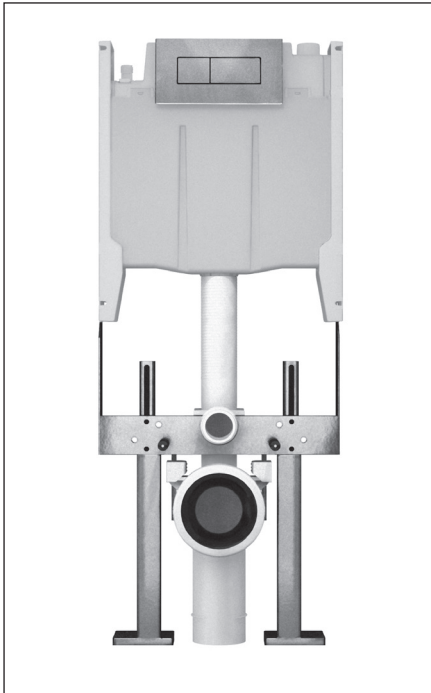


Invisi II

Invisi II

4.5/3 Dual Flush Inwall/Under Counter/ Induct/Inceiling Installation

1.8 Single Flush Urinal Inwall/Induct/Inceiling Installations



A 4.5/3 litre dual flush plastic cistern suitable for inwall, under counter, induct and in ceiling applications. The cistern features a number of contemporary button design options with concealed fixing that are pneumatically operated for ease of operation and installation. The push buttons can be activated remotely up to 4 metres from the cistern, ideal for care and custom applications. The cistern incorporates Caroma Smartflush water saving technology. For installation flexibility the cistern, bracket and specially designed waste pipe have been developed to be installed in a standard 90mm metal or timber stud wall applications. The cistern is adjustable to 6/3 litre dual flush. Extended pneumatic hoses are additional and supplied separately Code No.237702. Alternatively the extended hose is also supplied with the Remote Access Mounting Box kit Code No.237006.

Invisi II Dual Flush Installations:

Inwall – The cistern can be fitted within a minimum cavity of 90mm with service access within the room via the standard or large button panel. A range of access panel kits are available to suit dual flush, single flush and remote push button positions.

Under Counter – The cistern can be fitted under counter with a minimum cavity depth of 90mm for front mount button installations and 100mm from the finished wall face to the counter's internal front face, for top mount button installations, as illustrated in Invisi II page 4 (not suitable for urinals).

Induct – The cistern is suitable for behind the wall installations in a single service duct, as illustrated Invisi II page 6.

Inceiling – The cistern is suitable for mounting in the ceiling duct where access is provided for adjustment and servicing. This installation requires the fabrication of a flush pipe using 40mm DWV and Flush Pipe Extension components contained in the Remote Mounting Box Kit Code No. 237006, as illustrated Invisi II pages 7 and 9. Due to the high head height only nominated Caroma boxed rim pans should be used with this installation.

Invisi II Buttons – Buttons and access plate are not included with the cistern, see Invisi II page 3 for available options.

Invisi II Inwall/Under Counter/Induct/Inceiling Cistern – For wall faced pan applications, Code No.237001. For wall faced pan installations the cistern is simply mounted in position with the two brackets supplied which are screwed to the studwork.

Invisi II Under Counter – For wall hung pan applications, Code No.237004. The D.403 Invisi II WH Bracket is supplied for concrete floors or stud wall installations. The bracket system is suitable for installation only where non compressible wall materials are used.

Invisi II Inwall/Induct/Inceiling Cistern – For wall hung pan applications, Code No.237003. The D.402 Invisi II WH Bracket is supplied for concrete floors or stud wall installations. The bracket system is suitable for installation only where non compressible wall materials are used.

Invisi II Structural Brick Wall – For structural brick walls the cistern is fixed inwall and the wall hung pan is fixed using the D.788 Sanifix Bolt Through the Wall Bracket.

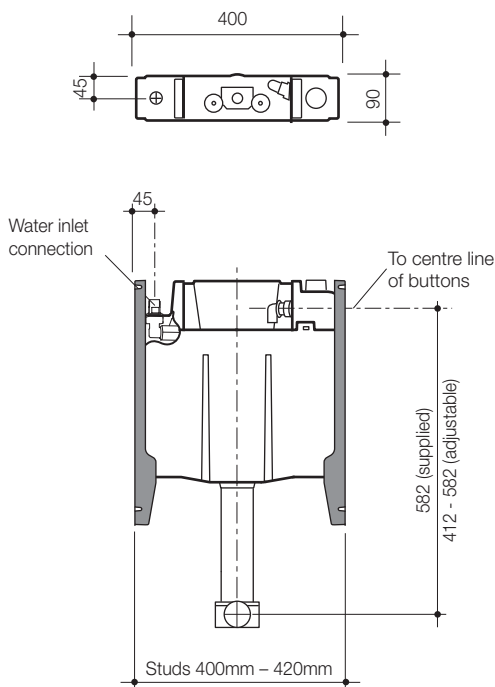
Invisi II Urinal Single Flush: The Invisi II 3 star, 1.8 litre single stall urinal cistern is supplied with instructions for conversion to suit two stall and three stall, and 0.8 litre applications. A copper sparge adapter is included in place of a flush pipe.

Working pressure is minimum 30kPa to maximum 1000 kPa flow pressure.

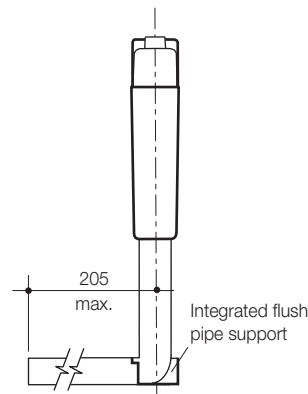
Colours: White, chrome and satin chrome button options available see Invisi II page 3.

Dimensions: All dimensions are in millimetres and are subject to normal manufacturing tolerances. Caroma pursues a policy of continuing improvement in design and performance of its products. The right is therefore reserved to vary specifications without notice.

Shown with D.403 Invisi II Wall Hung Pan Bracket and Invisi Dual Flush Plate and Buttons.

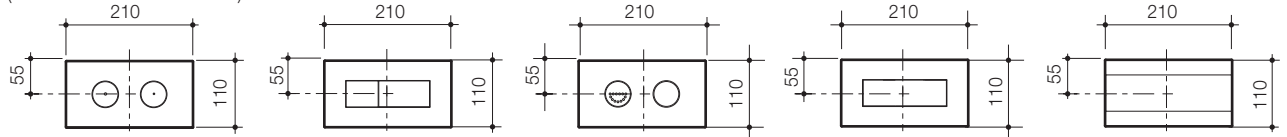


Note: Cistern height can be increased to 3m with additional flush pipe extension kit



Invisi II Buttons and Plates

(suitable for cistern access)



Invisi II Round Dual Flush Plate and Buttons

Code No.237010W
Code No.237010C
Code No.237010S

Invisi II Rectangle Dual Flush Plate and Buttons

Code No.237020C
Code No.237020S

Invisi II Round Care Dual Flush Plate and Raised Buttons

Code No.237011C
Code No.237011S

Invisi II Rectangle Single Flush Plate and Button

Code No.237021C
Code No.237021S

Invisi II Blank Access Plate

Code No.237024C
Code No.237024S

Invisi II Custom Buttons

(cistern requires alternative access)



Invisi II Round Dual Flush Custom Buttons

Code No.237013C
Code No.237013S

Invisi II Rectangle Dual Flush Custom Buttons

Code No.237023C
Code No.237023S

Invisi II Round Single Flush Custom Button

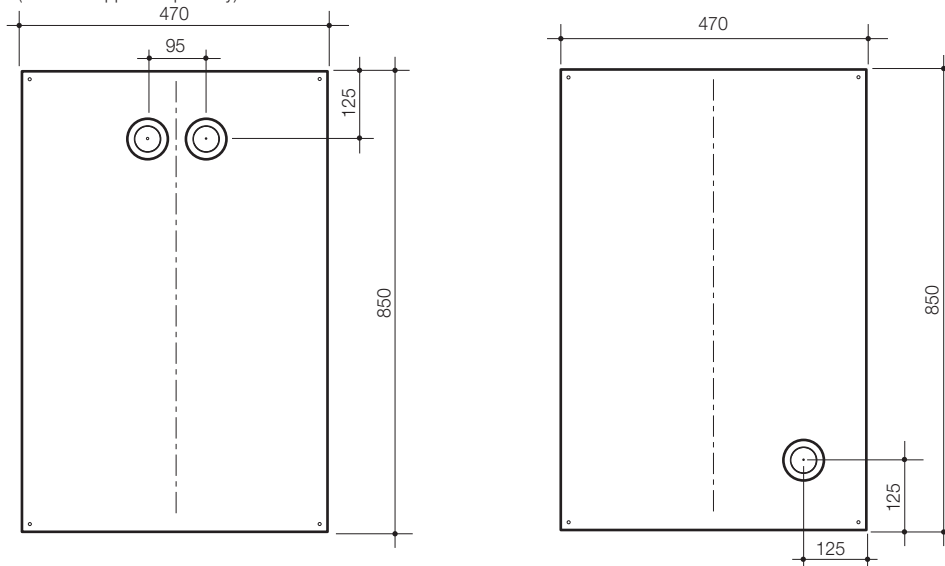
Code No.237012C
Code No.237012S

Invisi II Rectangle Single Flush Custom Button

Code No.237022C
Code No.237022S

Invisi II Access Panel Options for Inwall Applications

(Buttons supplied separately)



Large Access Panel Dual Flush

— Top

Code No.237030

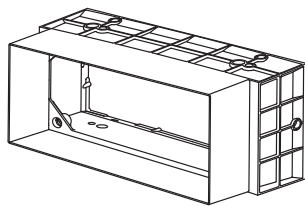
Large Access Panel Single Flush

— Bottom

Code No.237032

Note:

— Large access panels are recommended for double brick wall installations.



Invisi II Remote Mounting Box Kit

includes 2 x 4m pneumatic hose with flush pipe extension components
For use with induct or remote mounted button installations.

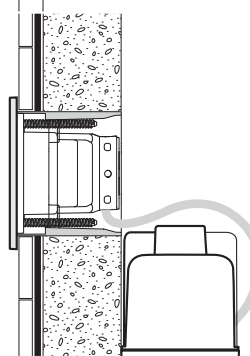
Code No.237006

4m pneumatic hose

Code No. 237702

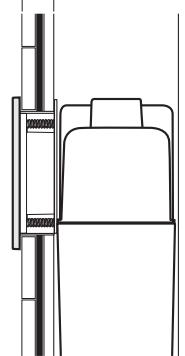
(2 hoses required for remote dual flush installations)

6mm min. – 45mm max.
wall lining thickness



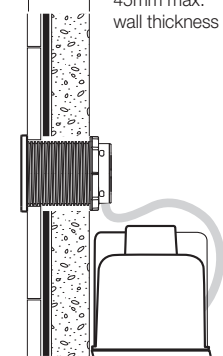
Remote Button Plate Installation

5mm min. – 45mm max.
wall thickness



Standard button plate Installation

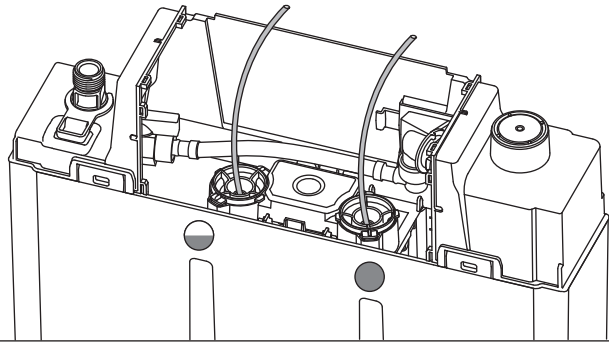
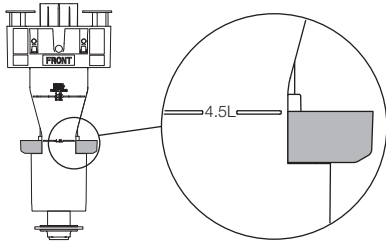
5mm min. – 45mm max.
wall thickness



Custom Button Installation

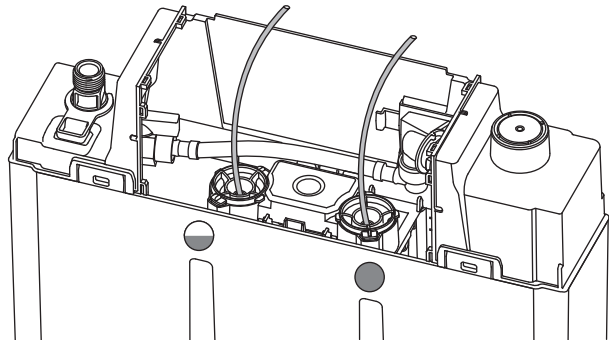
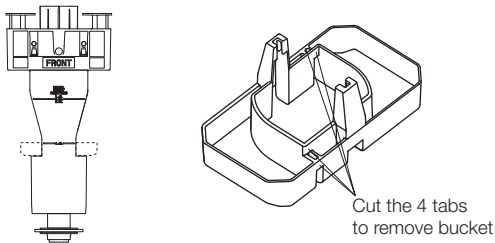
4.5/3 LITRE DUAL FLUSH - Toilet Suites

For 4.5/3 litre the bucket is preset. Connect pneumatic hoses to both the half flush and full flush positions.



6/3 LITRE DUAL FLUSH - Toilet Suites

For 6/3 litre flush remove outlet valve from cistern and bucket (see below), refit outlet valve in cistern. Connect the pneumatic hoses to both the half flush and full flush positions.



1.8 LITRE SINGLE FLUSH - Single Stall Urinal

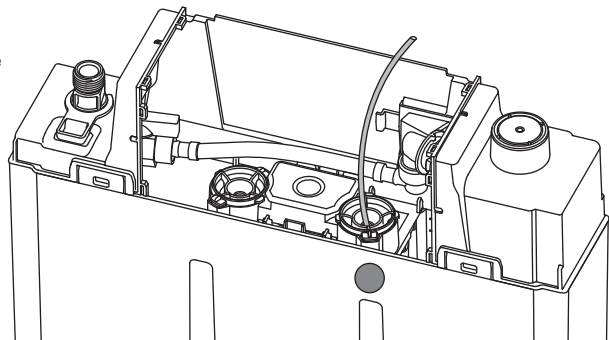
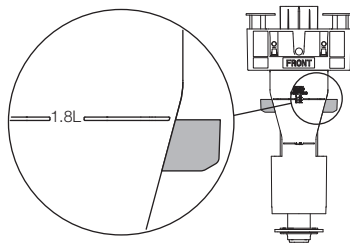
For 1.8 litre flush the bucket is preset. Connect the pneumatic hose to the full flush position.

0.8 LITRE - Single Stall Urinal

For the 0.8 litre flush adjust the bucket to the 0.8L mark. Adjust water level to appropriate mark on cistern tank. Connect the pneumatic hose to the full flush position.

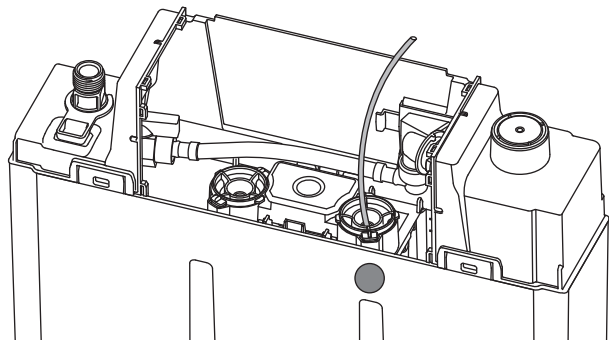
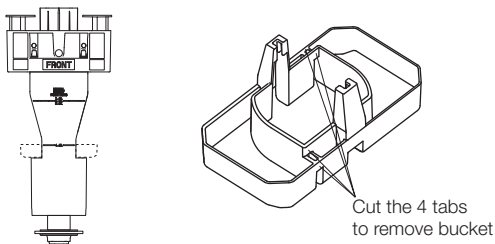
3.8 LITRE - 2 Stall Urinal

For 3.8 litre flush, adjust the bucket to the 3.8L mark, and reset the water level to the corresponding mark on the cistern. Connect the pneumatic hose to either flushing position.



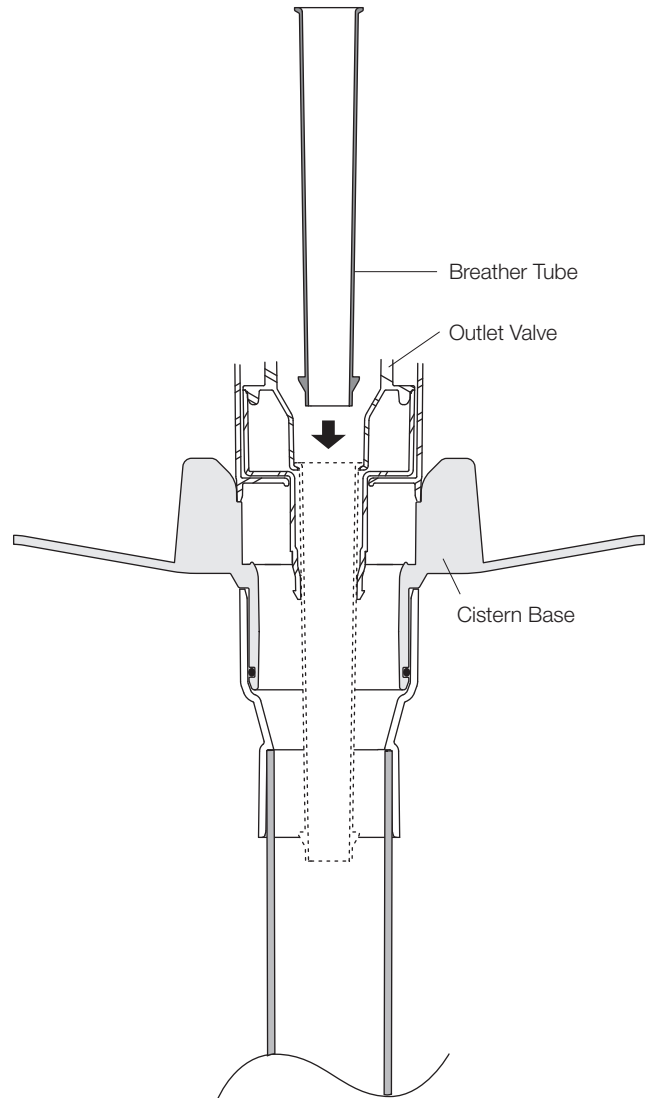
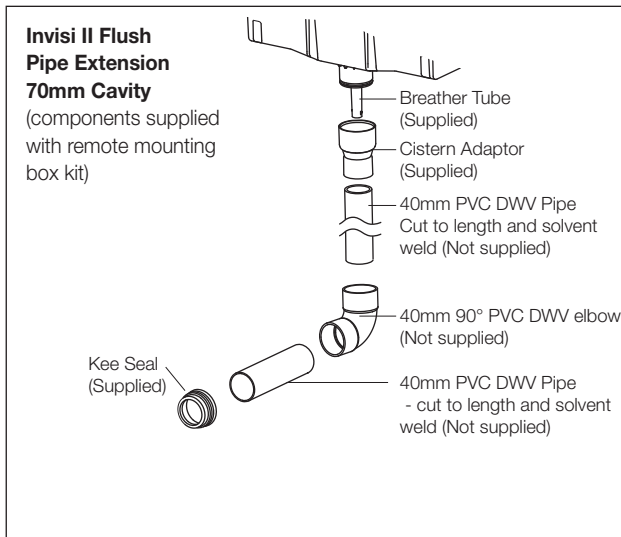
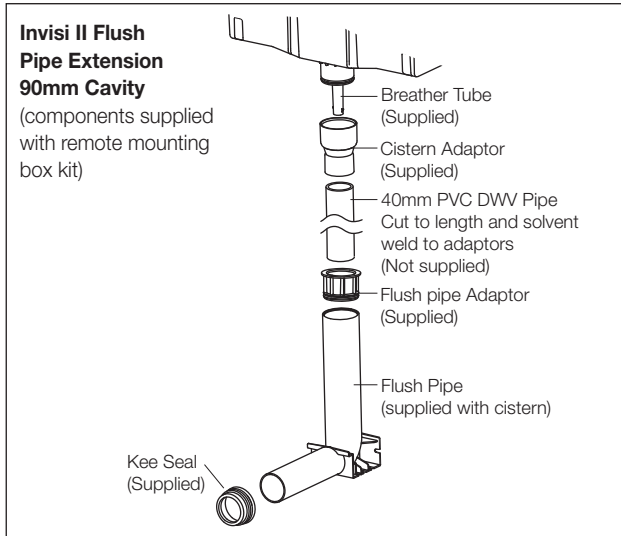
5.8L LITRE SINGLE FLUSH - 3 Stall Urinal Conversion

For 5.8 litre flush remove outlet valve from cistern and bucket (see below), refit outlet valve in cistern. Connect the pneumatic hose to either flushing position.



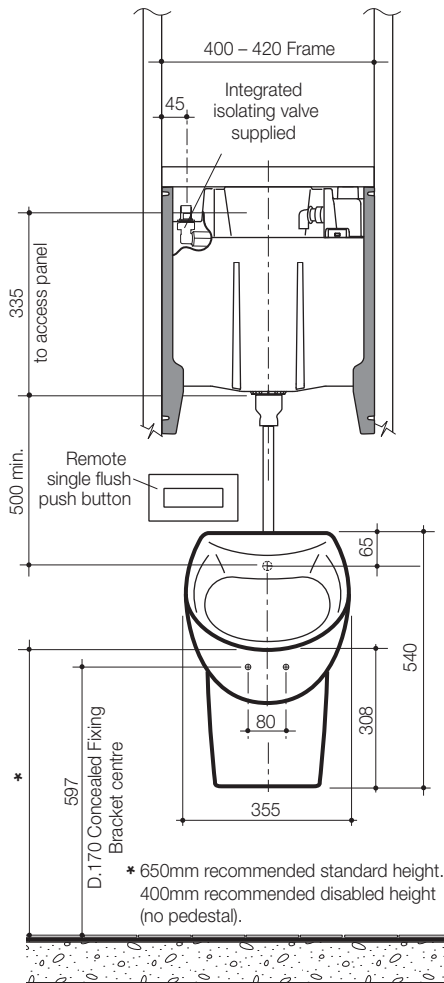
Invisi II

Flush pipe Extension Components (included in Remote Mounting Box Kit)

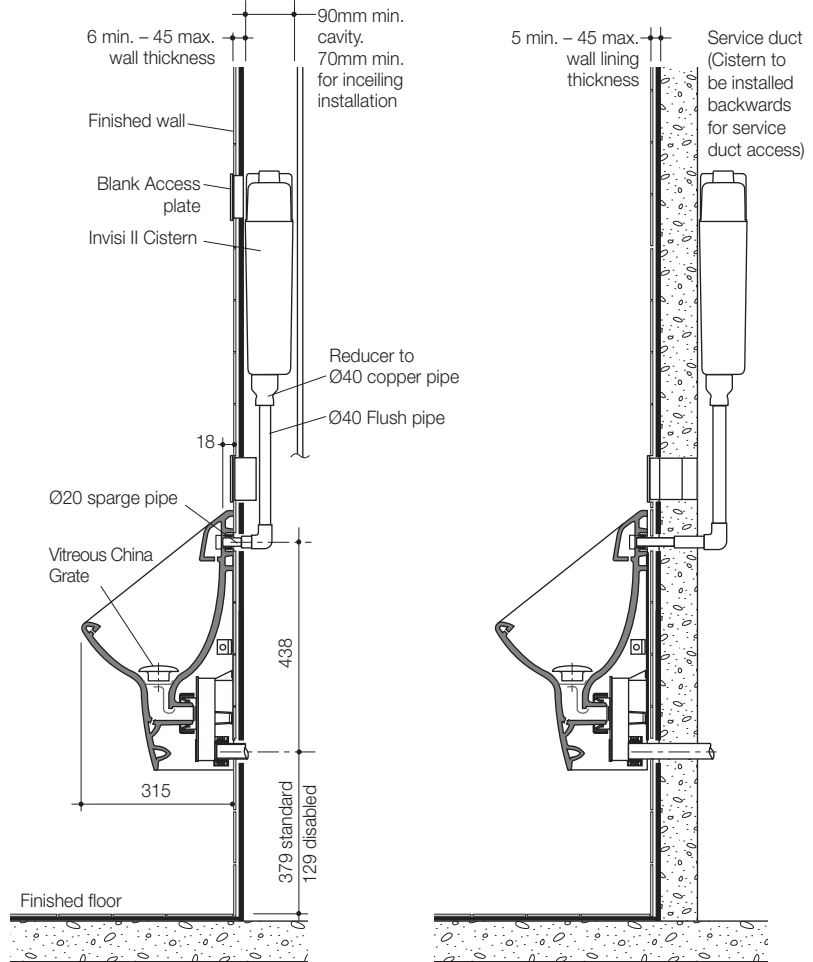


**Inwall/Induct Urinal
Invisi II Installation**

Inwall Urinal Suite



Induct Urinal Suite



The Urinal Shop

Sydney - Head Office
1800 URINAL (874625)
(02) 9863 0968
info@theurinalshop.com.au