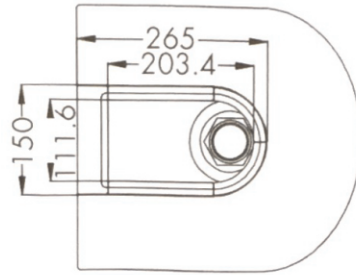
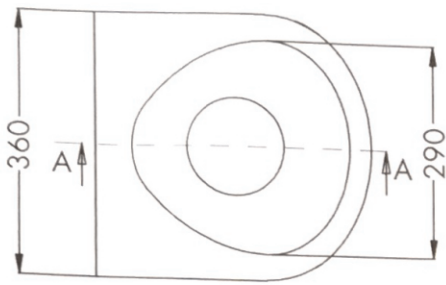
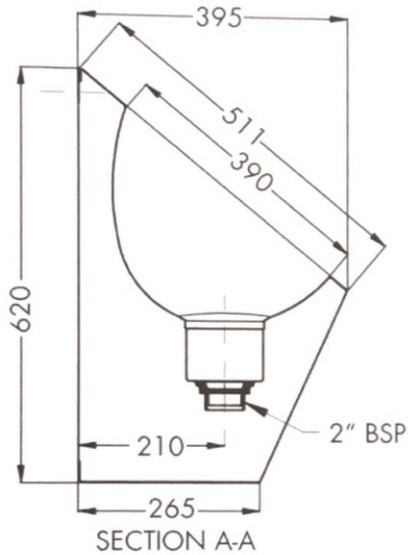


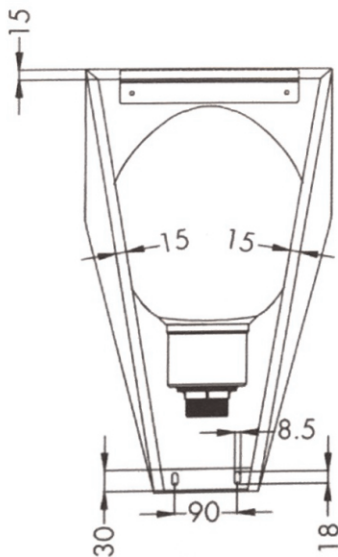
Bottom



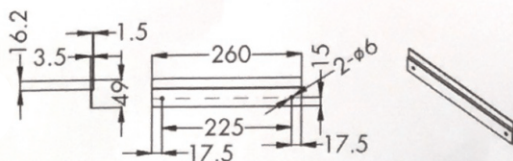
Side



Back



Bracket



POD URINAL

For use in:

hotels, clubs, public amenities or wherever a high end, vandal resistant solution is required. The modern and stylish appearance will complement high end facilities.

Features and Benefits:

- Pre drilled fixing holes with wall bracket
- Vandal resistant
- 1/2" MI BSP rear inlet and 2" MI BSP Outlet
- Includes domed grate
- Fully conceals plumbing fixtures
- Constructed from 1.2mm 304 grade stainless steel
- 3 star WELS approved
- In stock and available for immediate delivery
- We can powder coat this urinal to suit your bathroom.



The Urinal Shop

Your one stop shop for anything to do with urinals and their accessories

1800 URINAL (874 625)
theurinalshop.com.au