

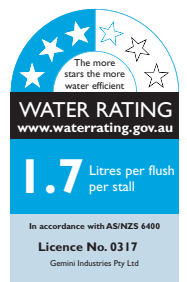
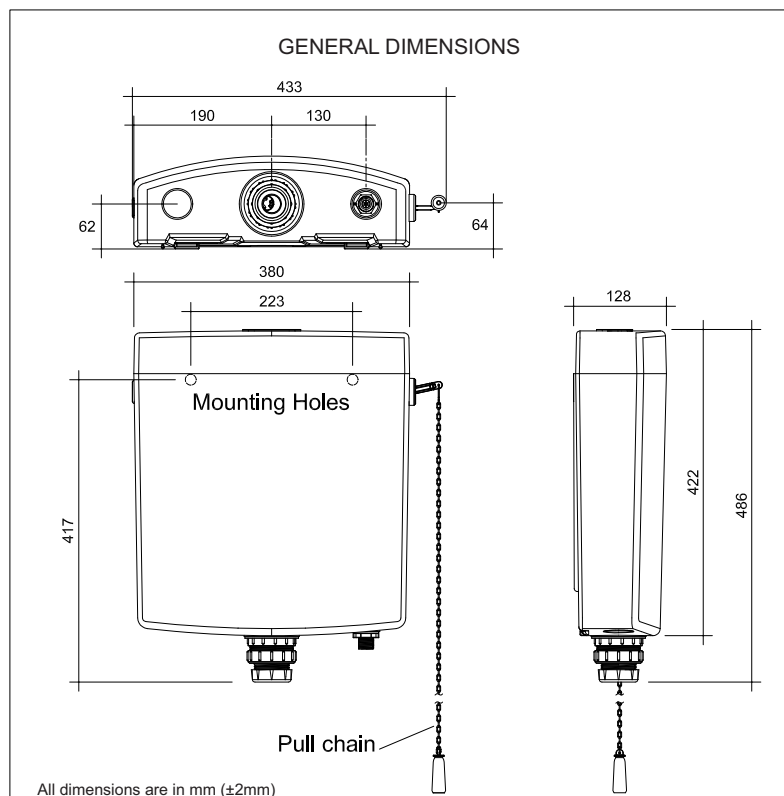
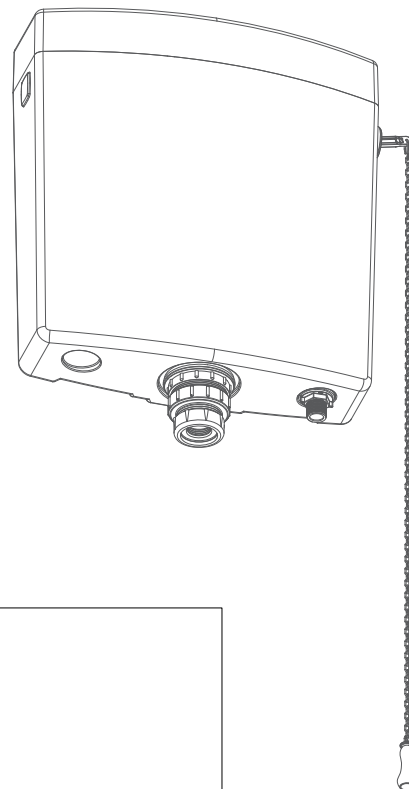
INSTALLATION GUIDELINES

Product code RG21015PC

The Life Urinal Cistern with Pull Chain provides a simple, reliable flushing solution for a single or double stall urinal (It provides a nominal 1.5 or 3.0L flush for the two options).

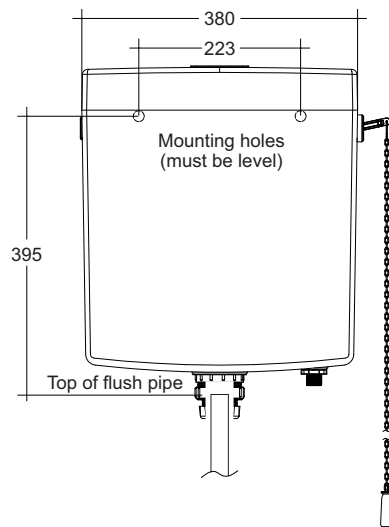
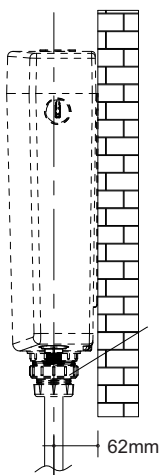
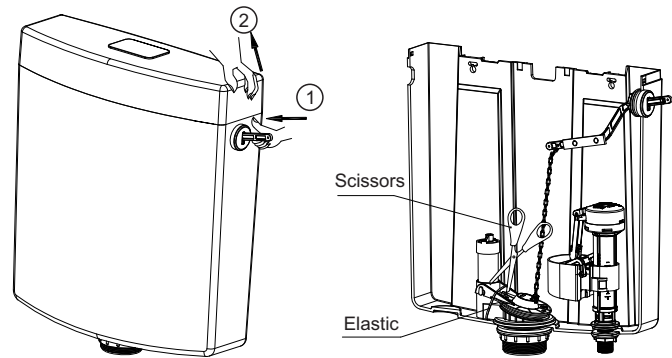
The cistern has a wall mounted white plastic tank with the pull chain on the right hand side. The water inlet is adjustable for left or right fitting.

The cistern is ideally installed with the wall-hung Life Urinal (Code J6000).



INSTALLATION GUIDELINES

1. Remove the lid of the cistern by first pressing the side of the cistern, then lifting off the lid.
Remove the installation components from inside the tank.
Cut the elastic band that secures the outlet flapper valve during shipping

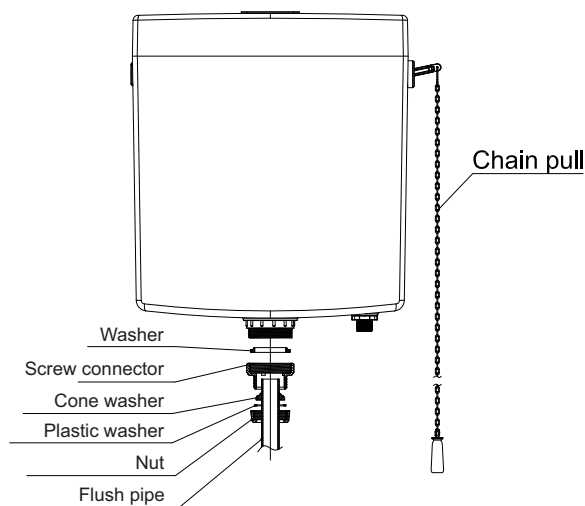
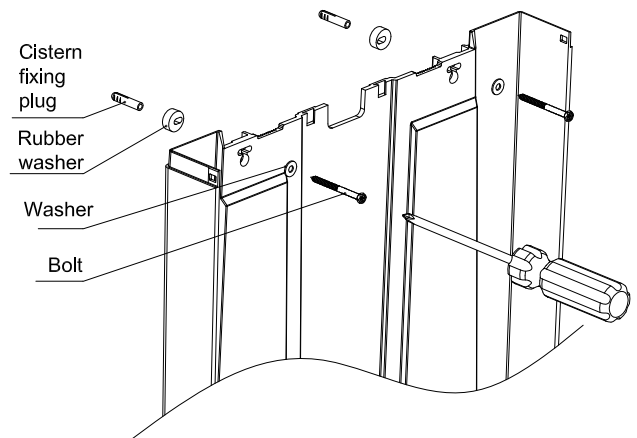


2. Connect the flush pipe to the urinal and the cistern and locate the position of the mounting holes.

The holes should be approx. 395mm from the top of the flush pipe. The holes must be level.

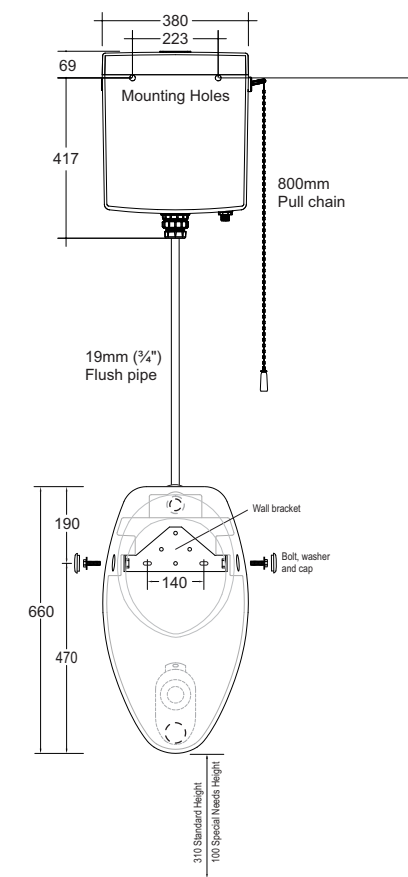
Drill 2 x 6mm holes 233mm apart for the fixing plugs.

3. Insert the fixing plugs and screw the cistern to the wall using the washers as shown in the diagram

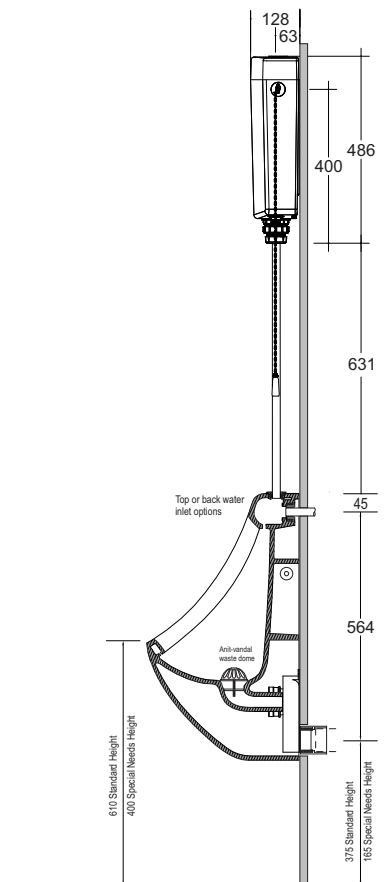


4. Fit the flush pipe to the cistern - assembling the components in the order shown on the diagram.
Fit the pull chain to the flushing lever.

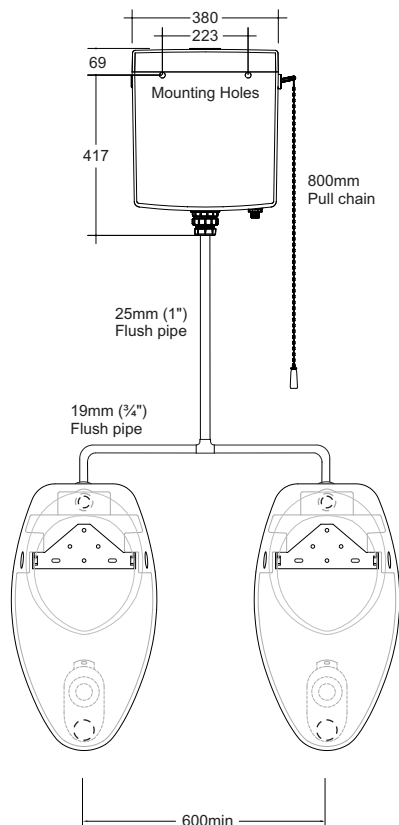
SINGLE STALL
INSTALLATION



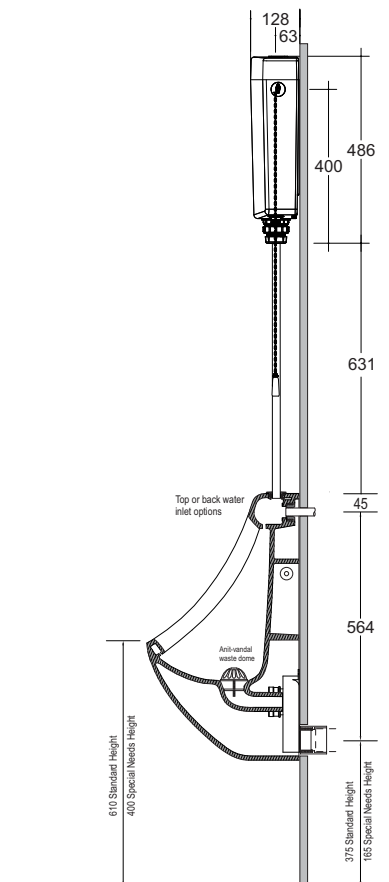
1950 Cistern fixing centre



DOUBLE STALL
INSTALLATION



1950 Cistern fixing centre



1950 Cistern fixing centre

All installations must be carried out by a licenced plumber in compliance with the National Plumbing and Drainage Code and any State or Local Authority Regulations

VALVE SETTING FOR SINGLE STALL FLUSH (Nom. 1.5L)

VALVE SETTING FOR TWIN STALL FLUSH (Nom. 3.0L)

1

Unclip valve lock

Twist and adjust valve to lowest setting height.

Refit valve lock

2

Adjust float cup to setting 2.

3

Rotate adjustment wheel to position 1.

4

Unclip the flapper valve

Turn valve over and move aperture adjustment to position 1 (Fully open)

5

Refit the flapper valve

1

Unclip valve lock

Twist and adjust valve to setting height 9.

Refit valve lock

2

Adjust float cup to setting 2.

3

Rotate adjustment wheel to position 1.

4

Unclip the flapper valve

Turn valve over and move aperture adjustment to position 10 (Fully closed)

5

Refit the flapper valve

Note: The cistern is supplied with the flush volume set for a single stall installation (1.5L nominal). The valves must be reset as above for a double stall installation