

Hose Connection Vacuum Breaker

Scope of Use / Specification Sheet

The RMC Hose Connection Vacuum Breaker is designed to prevent back siphonage through a hose connected to a safe drinking water supply.



7105

Product Code

Model	Catalogue Number
20mm	7105
20mm chrome	7105.2
25mm	7107
25mm chrome	7107.2

Application

The Hose Connection Vacuum Breaker provides protection to the potable water supply from contamination in low hazard applications, such as flexible connections over domestic fixtures and external hose taps.

Materials

Body	Brass or chrome plated brass
Spring	Stainless steel

Features and Benefits

- Comprises a single check valve, spring loaded to closed position with atmospheric vacuum breaker vent
- Corrosion resistant
- Choice of brass or chrome plated finish
- Brass body
- Suitable for hot or cold water service (up to 80°C at 1400kPa)
- Durable
- Maximum working pressure of 1400kPa
- 'Breakaway' set screw protects against tampering
- Approved to AS 2845.1

Technical Specifications

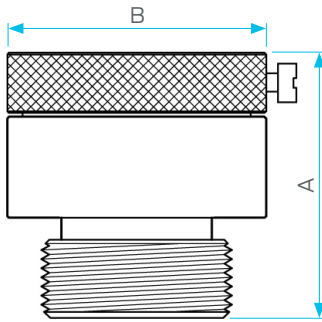
Inlet	Female BSP
Outlet	Male BSP
Maximum working pressure	1400 kPa
Maximum temperature	80°C

Hose Connection Vacuum Breaker

Dimensions

Size	Model	Length (A)	Diameter (B)
20mm	7105 / 7105.2	28	28
25mm	7107 / 7107.2	36	38

Note: All measurements in mm unless otherwise stated.



Installation

Installation is subject to the requirements of the applicable regulatory authority, the National Construction Code Volume Three – Plumbing Code of Australia, associated reference standards as applicable at the time and AS/NZS 3500.1.

Warranty

Reliance Worldwide Corporation (Aust.) Pty. Ltd. (RWC) will either replace or repair any defective goods where the defect arose as a result of manufacture within the warranty period. You may contact RWC at the phone number, address or e-mail shown below for further information or to make a claim.

Visit www.rmc.com.au/warranty to view the warranty statement in full and for further important information.