



Compact RD Electronic Sensor Urinal Flush Valve Retro Fit Kit - HF to RD

Product Image



Product Details

SKU:	010170099
Brand:	Schell
Range:	Urinal
Warranty:	2 Years
WELS:	N/A

Additional Features

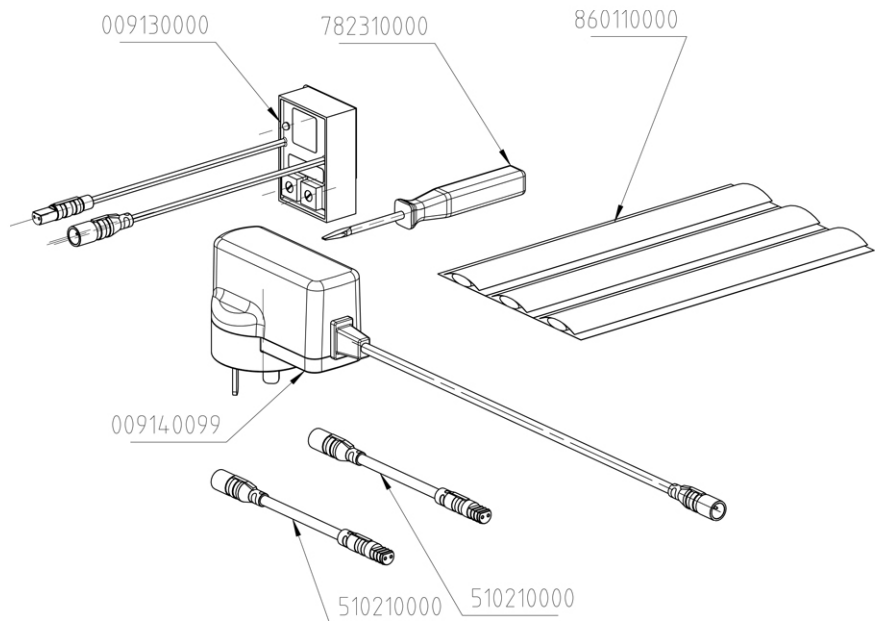
Technical Specification

Required Product

Recommended Products

Additional Notes

- * RETRO FIT KIT for Original HF Installations
- * Used with existing installed Valve Body 011430099 & Solenoid 256390099



Note: All dimensions are in millimetres and are subject to normal manufacturing variations. Always use the physical product measurements for cut-outs and rough-ins as the technical details shown may differ from the actual product. Use acetic cured silicone sealant. Do not use epoxy type adhesives. Clean with damp cloth. Do not use abrasive cleaners, liquids or pastes.