

# INSTALLATION INSTRUCTIONS

TEIDE URINAL REAR & TOP INLET



# The Urinal Shop

## INLET & OUTLET INSTALLATION NOTES:

### REAR INLET

Install rubber grommet into the back of the urinal first. Apply a lubricant to the 20mm copper before pushing into the grommet.

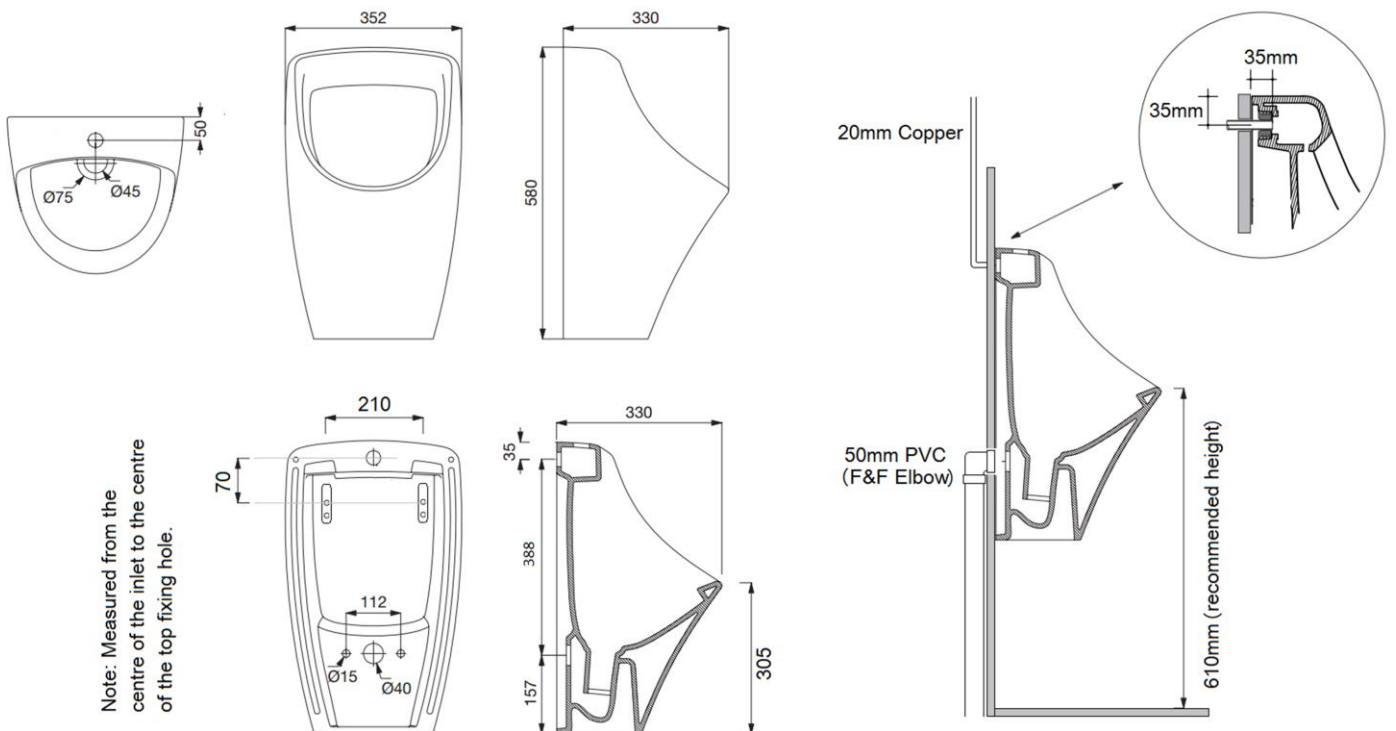
### WASTE OUTLET

Grey rubber key seal will only fit into a 50mm PVC socket (Will not fit into 50mm pipe!)

Face of the socket should stop 5-10mm short of the finished face of the wall. Apply

Lubricant to the key seal before pushing into the socket.

## SPECIFICATIONS (FIG 1):



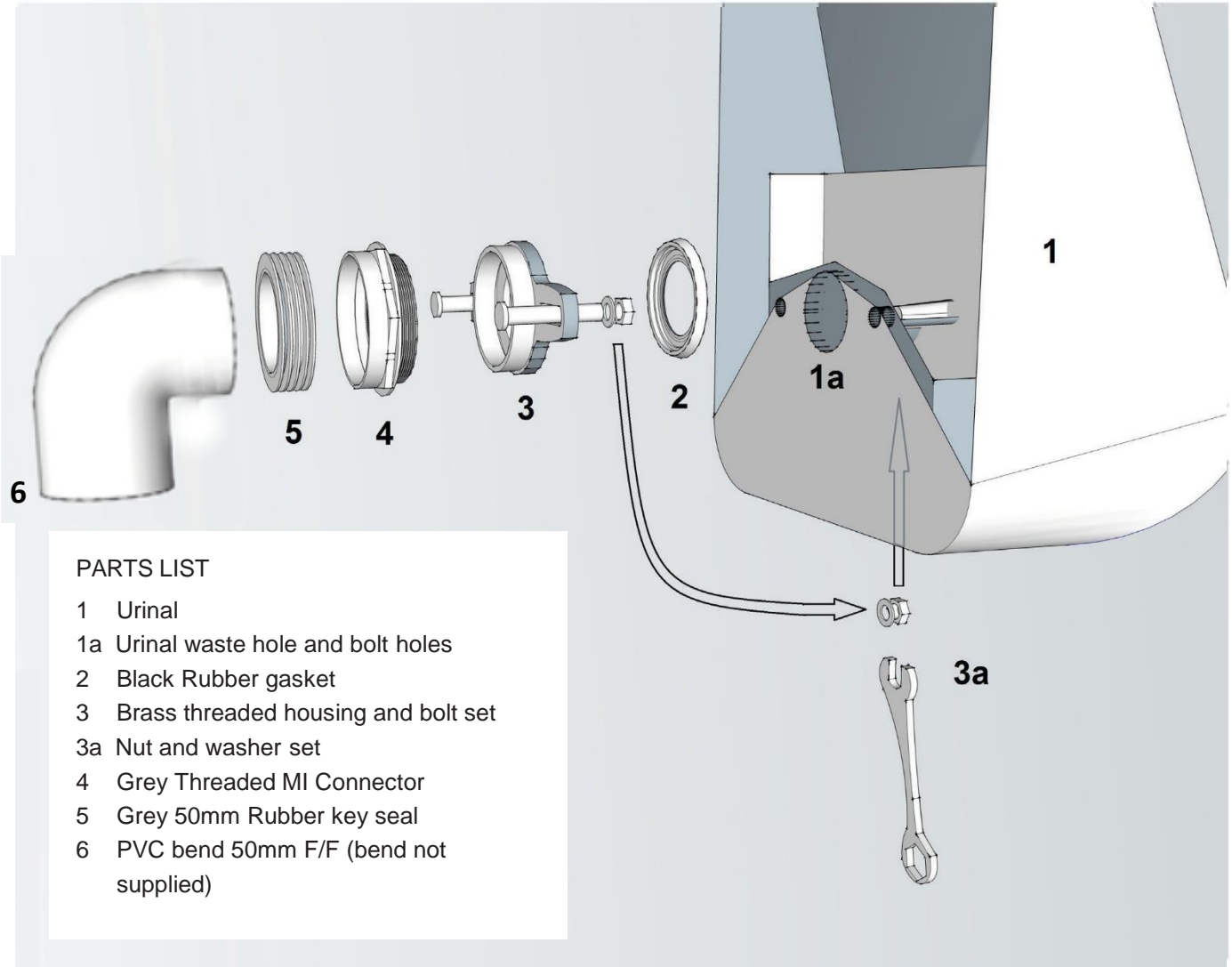
# INSTALLATION INSTRUCTIONS

TEIDE URINAL REAR & TOP INLET |



# The Urinal Shop

## WASTE OUTLET INSTALLATION NOTES: (APPLICATION DEPENDENT)



1. Determine desired finished height of urinal (1) on wall (Recommended 610mm to the rim).
2. Fix Brackets to the wall at the measurement shown in FIG 1.
3. Cut back the copper (inlet) flush pipe to the measurement shown in FIG 1.
4. Assemble and attach waste outlet to the urinal as shown above.
5. Lubricate both the inlet pipe and the outlet rubber key seal
6. Insert rubber grommet into the inlet orifice on the back of the urinal
7. Gently push the inlet pipe into the grommet. Then pivoting the urinal in the inlet pipe hook over the brackets one at a time, then let down the bottom of the urinal so the key seal slides into the PVC socket.
8. Flush water through the urinal to test for leaks.
9. Seal around the urinal with a sanitary grade silicone.



# The Urinal Shop

theurinalshop.com.au  
P: 1800 URINAL (874 625)  
e: info@theurinalshop.com.au