



The Urinal Shop

Installation Instructions |

Parts List |



1 x fitting No. 20 2 x screws fitting No. 20

Fitting Kit |



1 x uriLOCK 0.3 L 1 x uriCLEAN 0.5 L 1 x uriCLOTH 1 x Cover 1 x suction device

Note |

Installation of the uridan waterless urinal is very simple.

If you are retrofitting existing flushing urinals with uridan waterless urinals, please ensure that the sewer line is jetted and clean of uric scale before installation. Please also remove any existing s-trap to avoid double trapping the urinal.

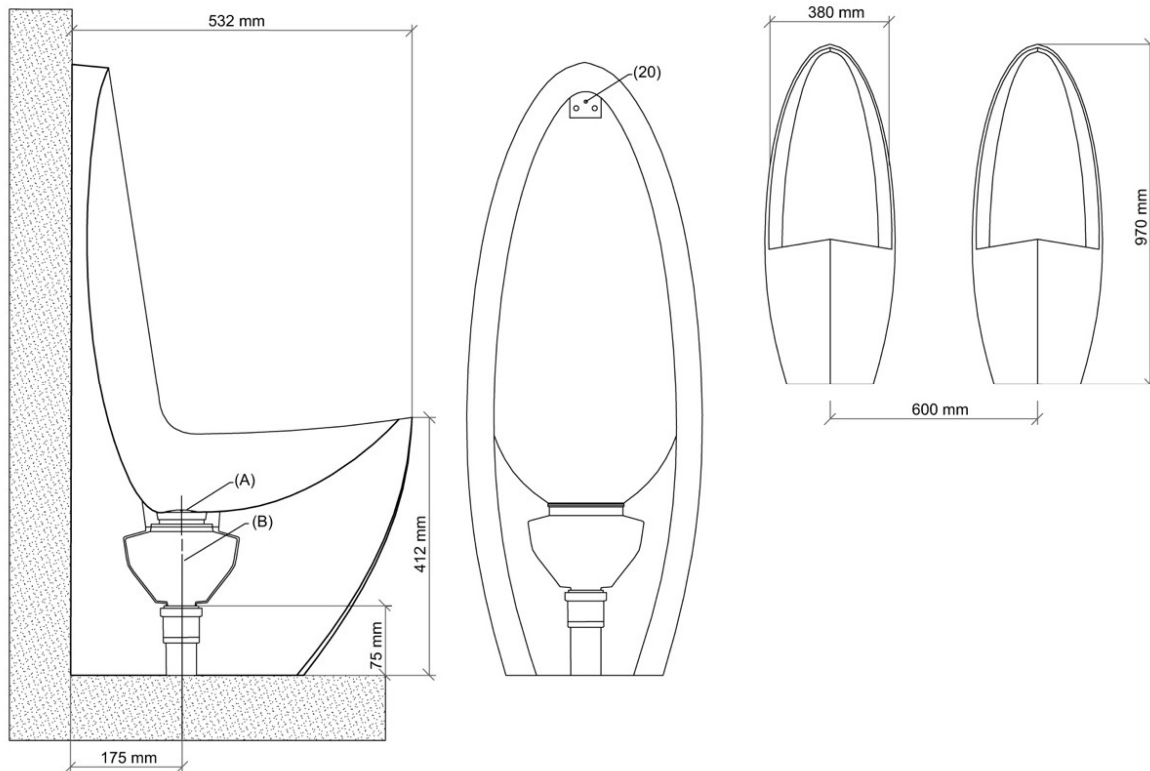
The uridan urinals work without water, and must be fitted to a 50mm waste pipe. Installation should be carried out by authorized plumbers in accordance with AZ/NZS3500.2.

PLEASE NOTE: The undiluted discharge from a waterless urinal must not be transported through copper or copper alloy pipework.

Installation Instructions |

CAPTAIN GX-10

glass reinforced plastic (GRP) | vertical



Installation

1. Mark holes for fitting No. (20) and install.
2. Hold the urinal against the wall and push firmly onto fitting No. (20). Slide the urinal down to the 50 mm waste outlet.
3. Fill the waste trap (Position B) with water.
4. Insert the stainless steel cover (Position A).
5. Pour 1 bottle uriLOCK (0.3 litre) over the cover.
6. Apply silicon sealant around the edge of the urinal – between urinal, the wall and the floor.

The urinal-urinal is now ready for use!

**Please leave customer care booklet, cleaning and maintenance instructions,
cleaning spray, cleaning cloth and suction device with customer.**