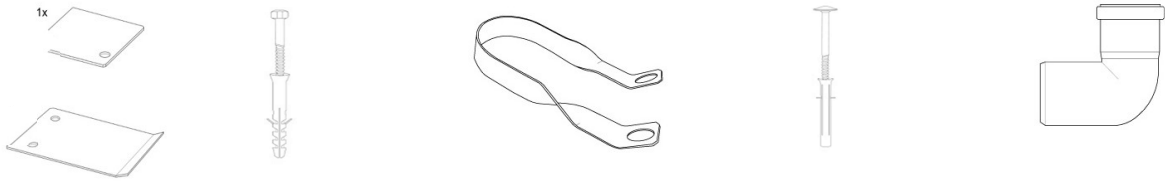


Installation Instructions

Parts List |



2 x fitting No. 8

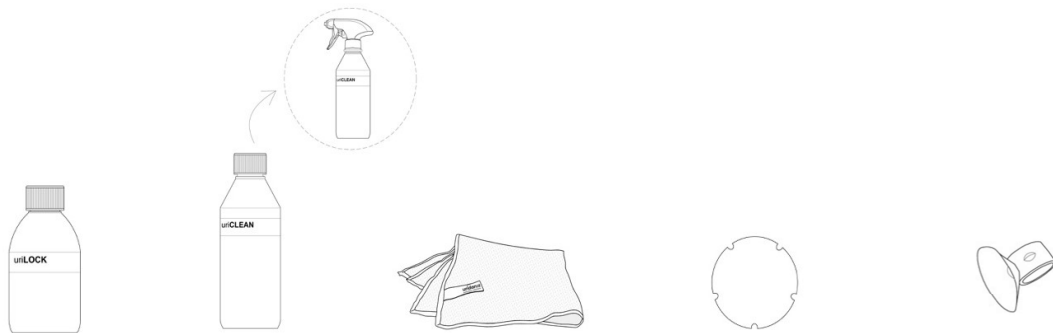
4 x screws fitting No. 8

1 x fitting No. 15

2 x screws fitting No. 15

1 x 87° bend

Fitting Kit |



1 x uriLOCK 0.3 L

1 x uriCLEAN 0.5 L

1 x uriCLOTH

1 x Cover

1 x suction device

Note |

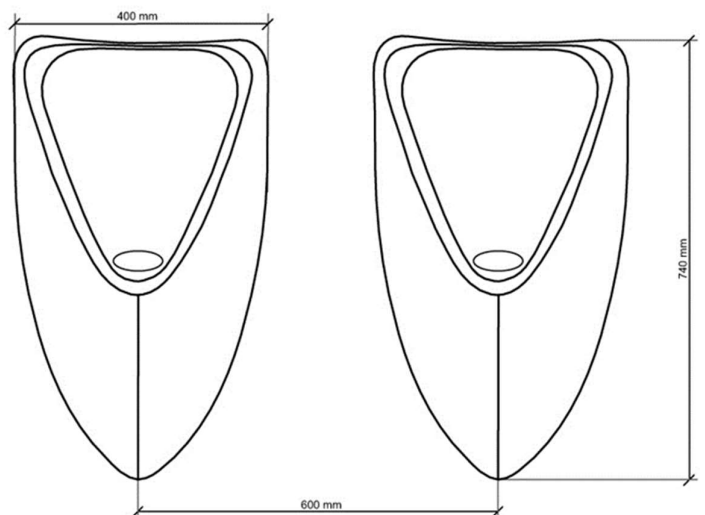
Uridan urinals function without water. Installation is very simple.

If you are retrofitting existing flushing urinals with uridan waterless urinals, please ensure that the sewer line is jetted and clean of uric scale before installation. Please also remove any existing s-trap to avoid double trapping the urinal.

Uridan urinals must be fitted to a 50mm waste pipe and installation should be carried out by authorised plumbers in accordance with AZ/NZA3500.2

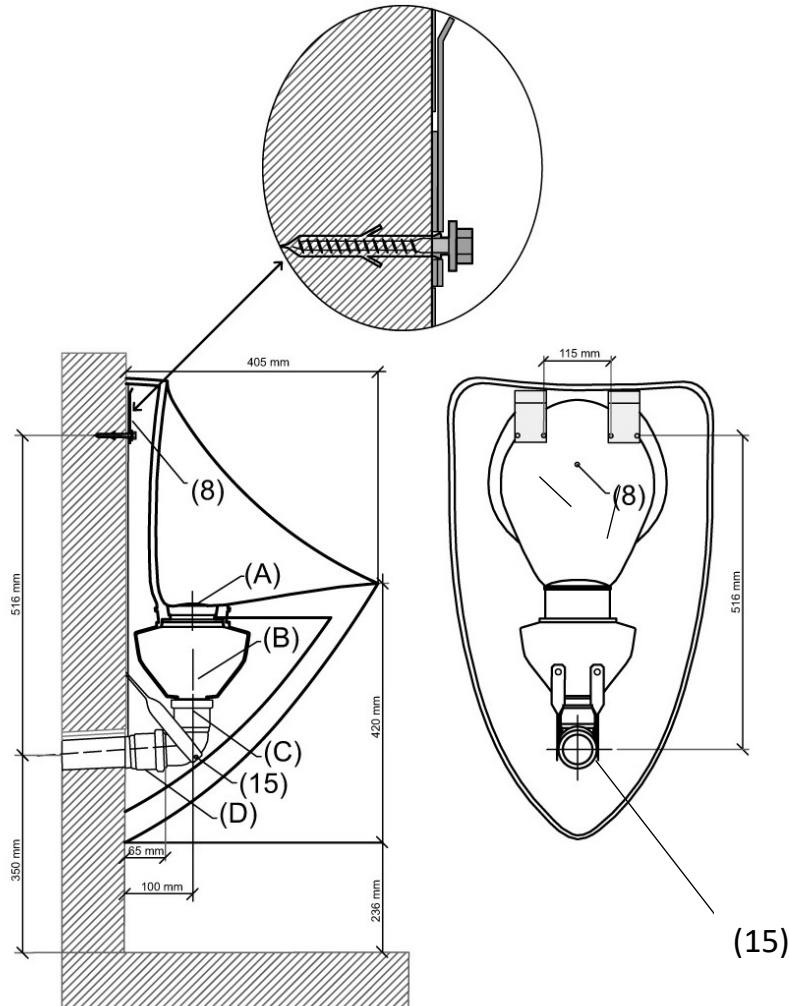
Please Note:

The undiluted discharge from a waterless urinal must not be transported through copper or copper alloy pipework.



Installation Instructions

MASTER GHM-10
glass reinforced plastic (GRP) | horizontal waste



Installation

1. Mark holes for fitting No. (8) and secure on wall.
2. Insert extension pipe (D) on the 87 ° bend (C). Keep a distance of 100 mm from the wall to the middle of the pipe as shown. If necessary shorten the extension pipe. Place the 87 ° bend with the extension pipe on the outlet pipe.
3. Adjust fitting No. (15), mark and drill holes and mount fitting No. (15).
4. Remove the 87 ° bend with the extension pipe and place on the waste trap.
5. Position the urinal with the pipe on the outlet pipe. Lift the urinal and place on fitting No. (8).
6. Fill the waste trap (B) with water.
7. Insert the stainless steel cover (A).
8. Pour 1 bottle uriLOCK (0.3 litre) over the cover.
9. Seal the gap between the wall and the urinal with silicone. Please Note: Do not put any silicone on the lower tip of the urinal!

**Please leave customer care booklet, cleaning and maintenance instructions,
cleaning spray, cleaning cloth and suction device with customer.**