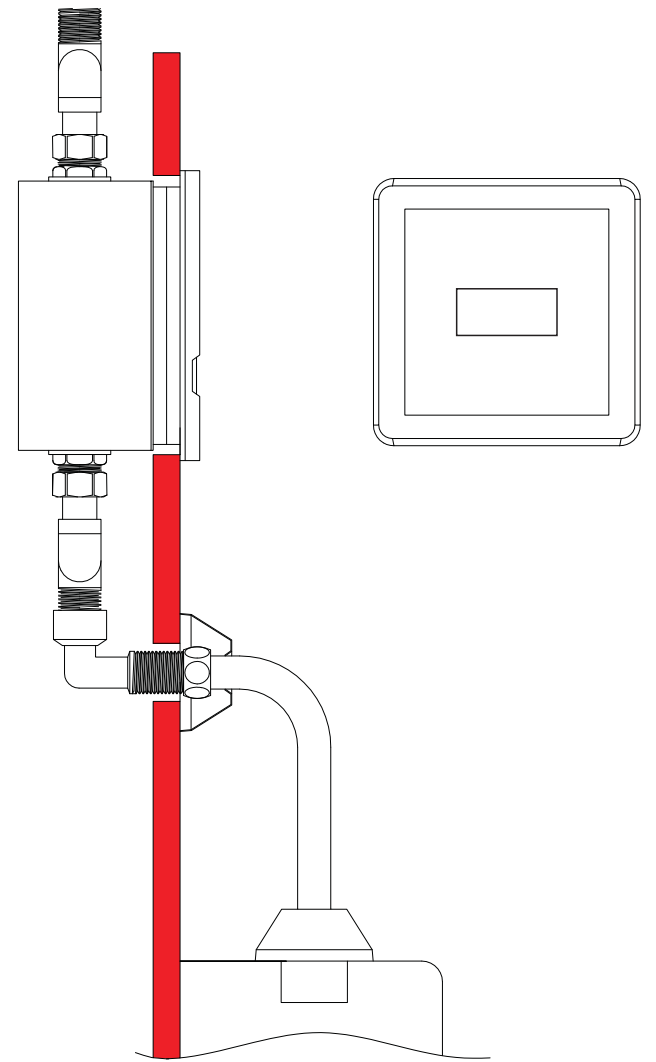
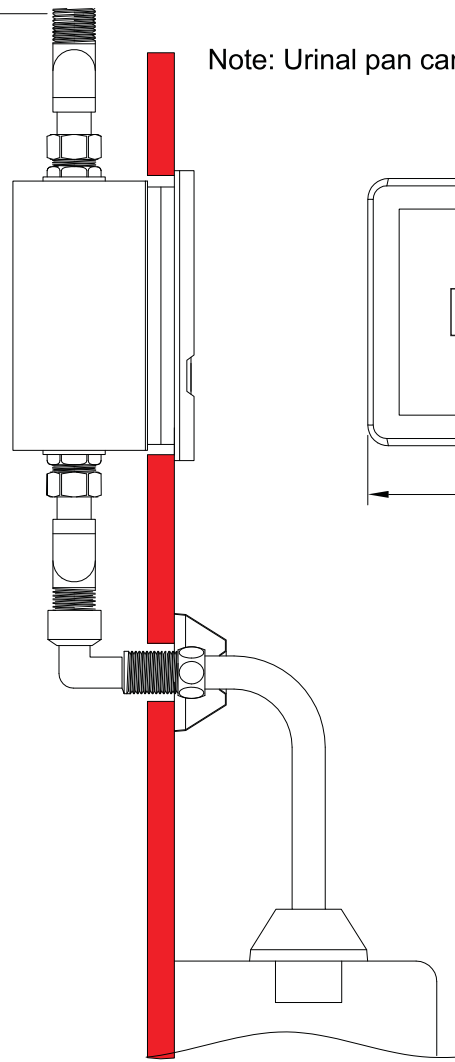
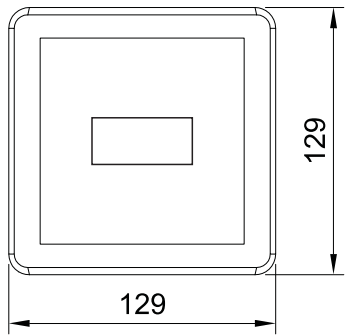


Inlet

Note: Urinal pan can be either top or rear inlet.

PANEL



Sydney - Head Office
1800 URINAL (874625)
(02) 9863 0968
info@theurinalshop.com.au

ET3-12

Unit:mm